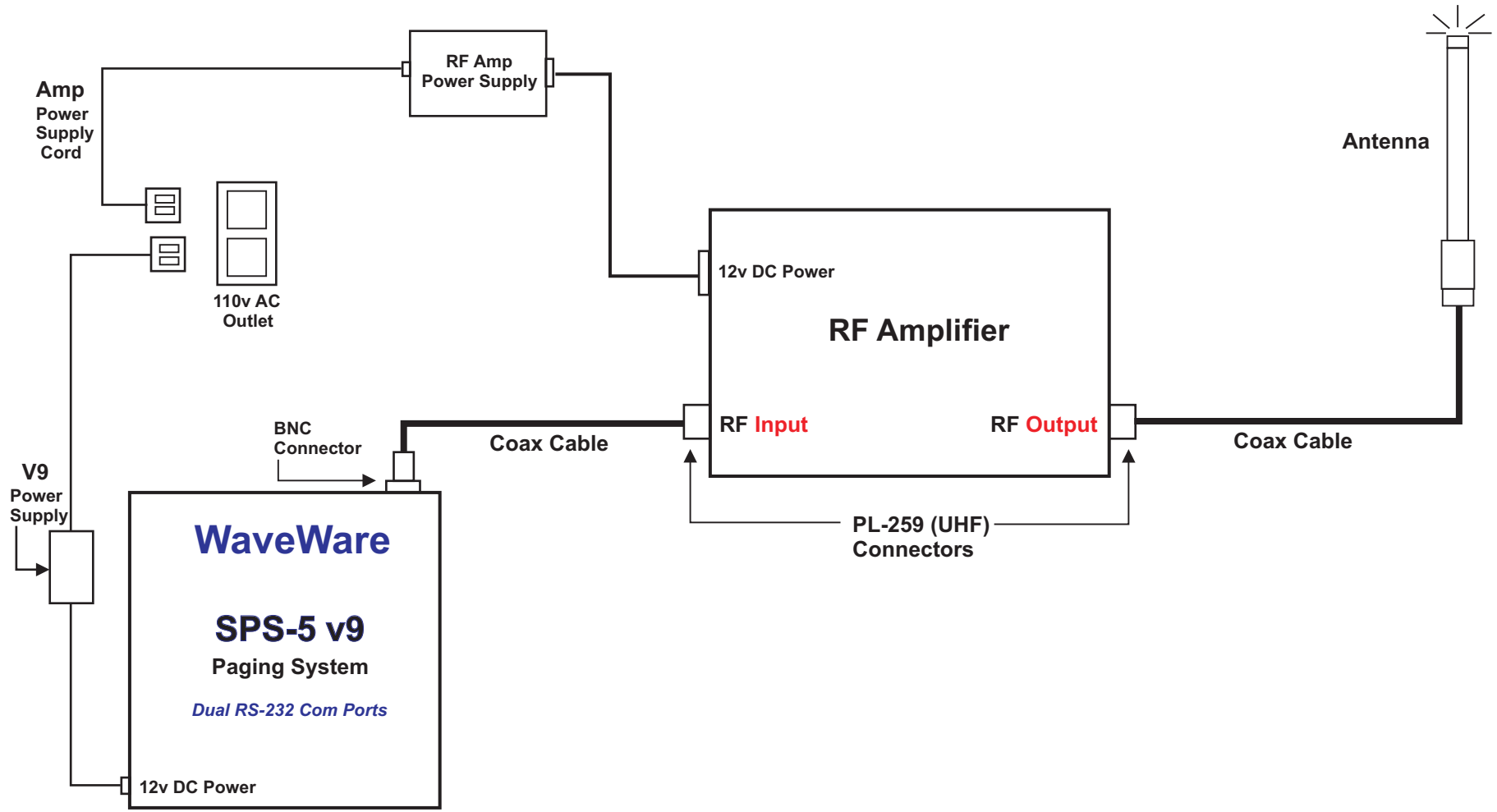


WaveWare SPS-5 v9 Dual Com Port Paging System with RF Amplifier Kit



MATERIAL	FINISH NONE	DATE 5.11.11
TITLE SPS-5 v9 with RF Amplifier Kit Installation		DWN BY Bob Clyburn
		APP.
WAVEWARE TECHNOLOGIES DALLAS, TEXAS 972-479-1702	DWG. NUMBER	REV. 1