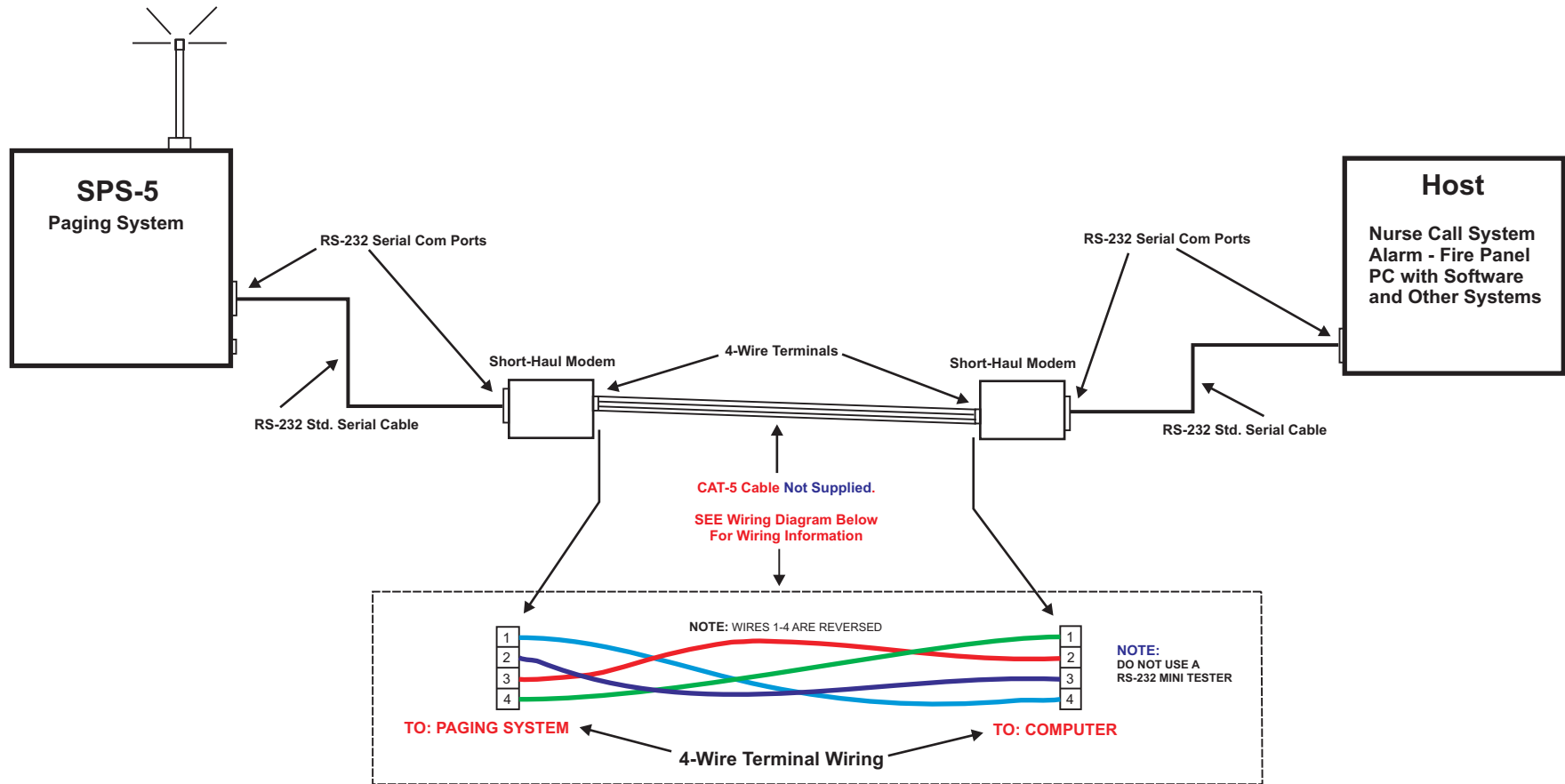
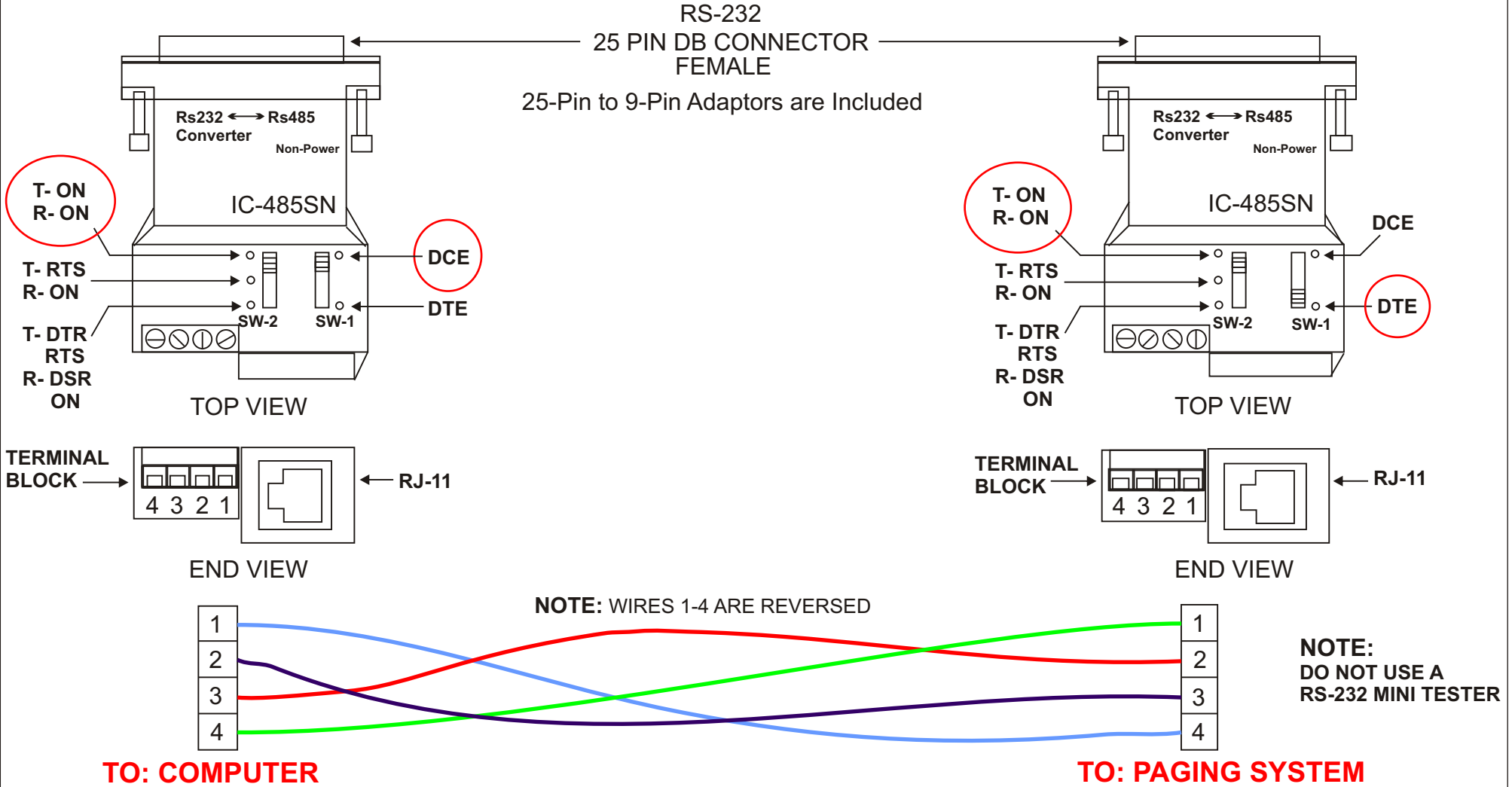


Short-Haul Modem Kit with SPS-5 Paging System Attached to the Host System



MATERIAL	FINISH None	DATE 7.9.12
SPS-5 Series with Short-Haul Modem Kit Installation Diagram		DWN BY Bob Clyburn APP.
WAVEWARE TECHNOLOGIES Garland, Texas 972-479-1702	DWG. NUMBER	REV. <div style="text-align: right; color: red; font-weight: bold;">1</div>

RS-232 to RS-485 Converter Configuration for use with PC to SPS-5 Series Paging System



NOTES:

- FOR THE COMPUTER SETTING
- 1: SET SW-2 TO T-ON / R-ON
 - 2: SET SW-1 TO DCE
- FOR THE PAGING SYSTEM SETTING
- 1: SET SW-2 TO T-ON / R-ON
 - 2: SET SW-1 TO DTE

MATERIAL	FINISH NONE	DATE 2.7.12
TITLE RS-232 to RS-485 Converter Diagram Configuration for Attaching the PC to the WaveWare SPS-5 Series Paging System		DWN BY BOB CLYBURN APP.
WAVEWARE TECHNOLOGIES Garland, TEXAS 972-479-1702	DWG. NUMBER	REV. 1