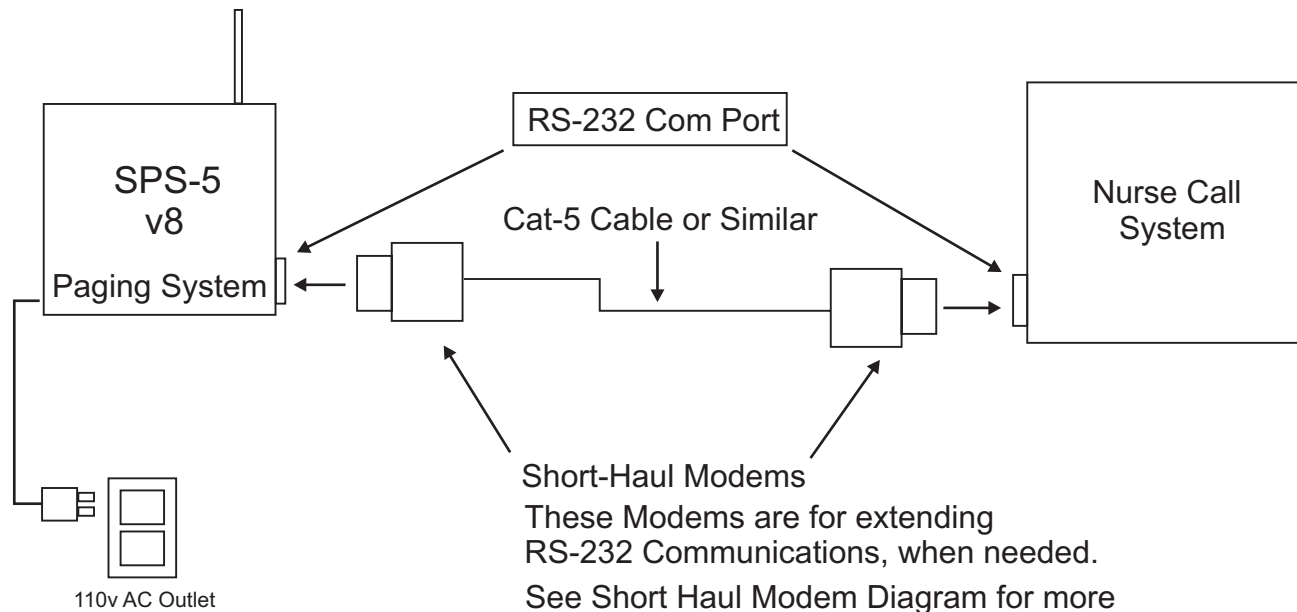


SPS-5 v8 with Nurse Call Basic Setup with Short-Haul Modems Diagram



We do Not Supply the Cat-5 Shielded Cable.

| | | |
|---|----------------|-----------------------|
| MATERIAL | FINISH NONE | DATE 9-25-09 |
| TITLE SPS-5 v8 with Nurse Call Basic Setup with Short-Haul Modems Diagram | | DWN BY Bob Clyburn |
| WAVEWARE TECHNOLOGIES DALLAS, TEXAS 972-479-1702 | | APP. |
| DWG. NUMBER | | REV. 1 |