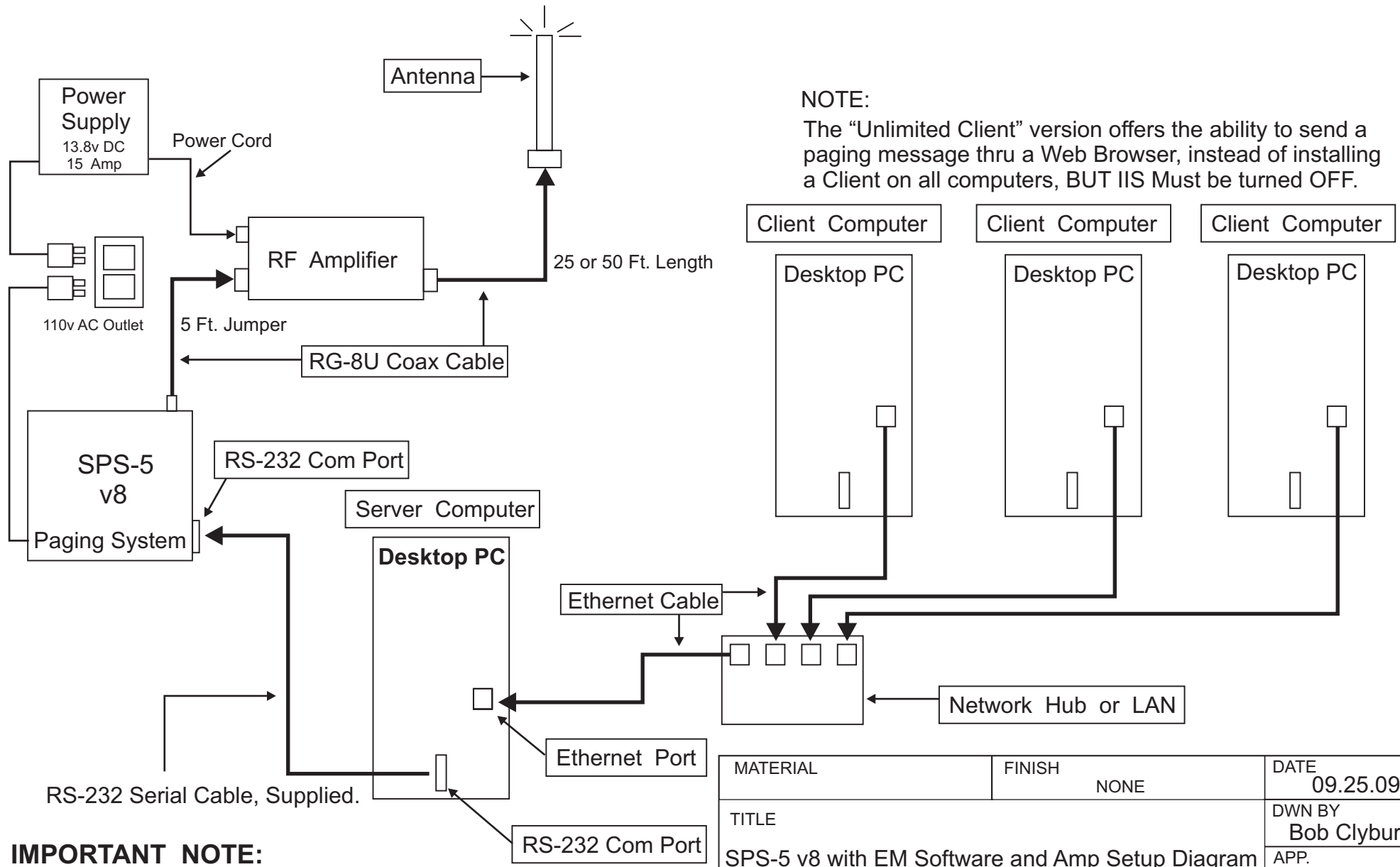


SPS-5 v8 Paging System with WaveWare Enterprise Software and Amplifier Setup Diagram

WaveWare Enterprise Messaging Software is a Server / Client Software Package.



NOTE:

The "Unlimited Client" version offers the ability to send a paging message thru a Web Browser, instead of installing a Client on all computers, BUT IIS Must be turned OFF.

IMPORTANT NOTE:

The "Server" Portion of Enterprise Messaging Software **MUST** be Installed **ONLY** on a "Desktop" Computer running Win XP Pro or Win Vista Premium. We **DO NOT** Support installation on a real Server.

MATERIAL	FINISH NONE	DATE 09.25.09
TITLE SPS-5 v8 with EM Software and Amp Setup Diagram		DWN BY Bob Clyburn
APP.		
WAVEWARE TECHNOLOGIES DALLAS, TEXAS 972-479-1702	DWG. NUMBER	REV. 1