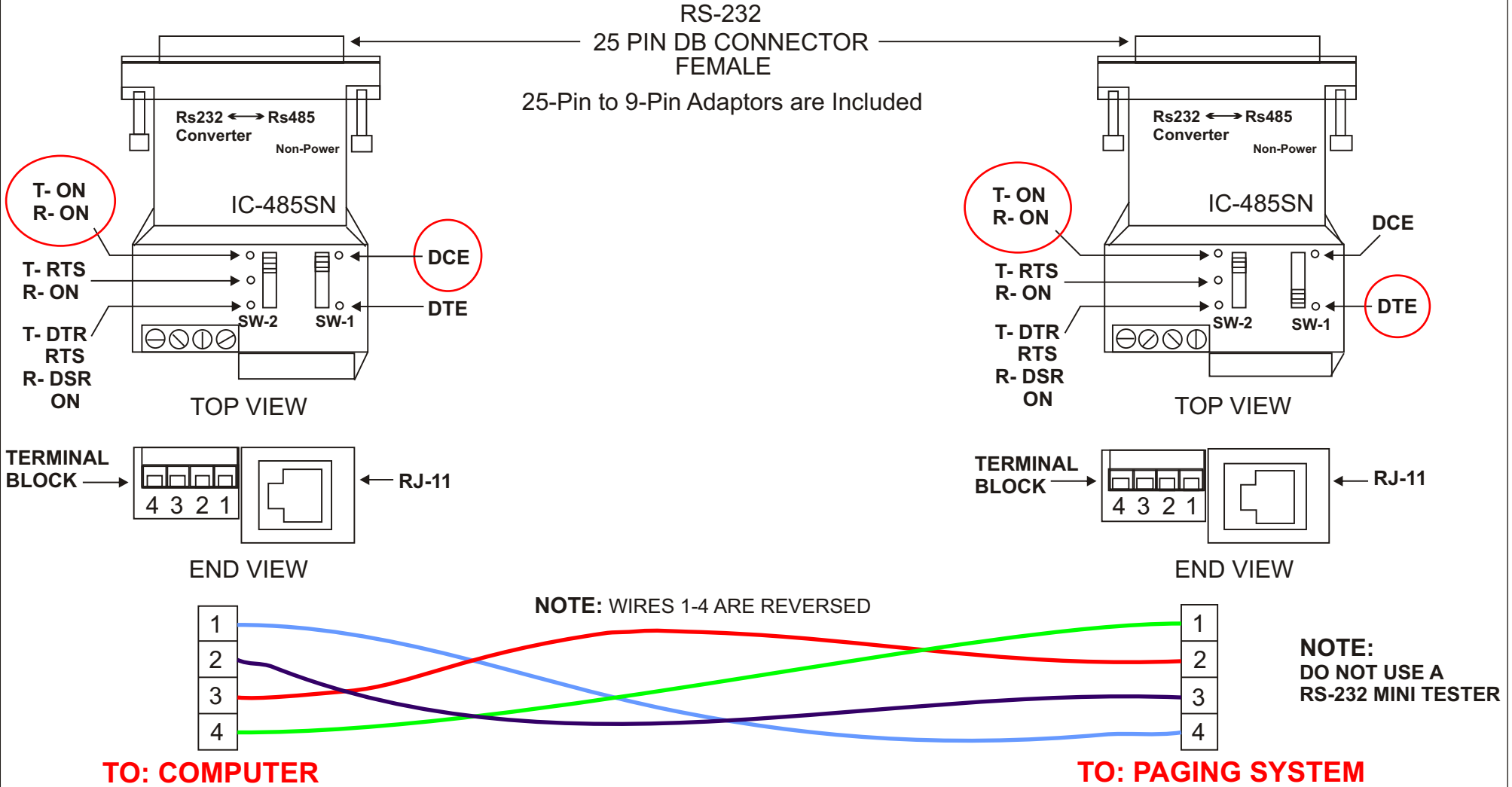


RS-232 to RS-485 Converter Configuration for use with PC to SPS-5 Series Paging System



NOTES:

FOR THE COMPUTER SETTING

- 1: SET SW-2 TO T-ON / R-ON
- 2: SET SW-1 TO DCE

FOR THE PAGING SYSTEM SETTING

- 1: SET SW-2 TO T-ON / R-ON
- 2: SET SW-1 TO DTE

MATERIAL	FINISH NONE	DATE 2.7.12
TITLE RS-232 to RS-485 Converter Diagram Configuration for Attaching the PC to the WaveWare SPS-5 Series Paging System		DWN BY BOB CLYBURN APP.
WAVEWARE TECHNOLOGIES Garland, TEXAS 972-479-1702	DWG. NUMBER	REV. 1